



SPONSORED BY THE POWER OF REDARC



FROM \$12,750



BEST CAMPER UNDER \$25,000



BEST VALUE FOR MONEY CAMPER



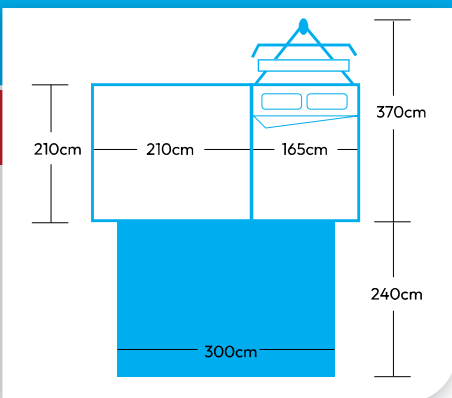
WINNER BEST VALUE FOR MONEY

MARLIN ULTIMATE REAR FOLD



MARLIN CRUISER

1-2 Persons



KEY FEATURES

- ★ Australian Owned - Australian Made
- ★ Towable by the Smallest of Cars
350kg Tare • 35kg Ball Weight
- ★ 1 Person Set Up in just 2 Minutes
- ★ Insulated Roof: Cool in Summer • Warm in Winter

MARLINCAMPERS.COM.AU

- FINANCE AVAILABLE
- 6 MONTH LAY BY WITH 10% DEPOSIT

